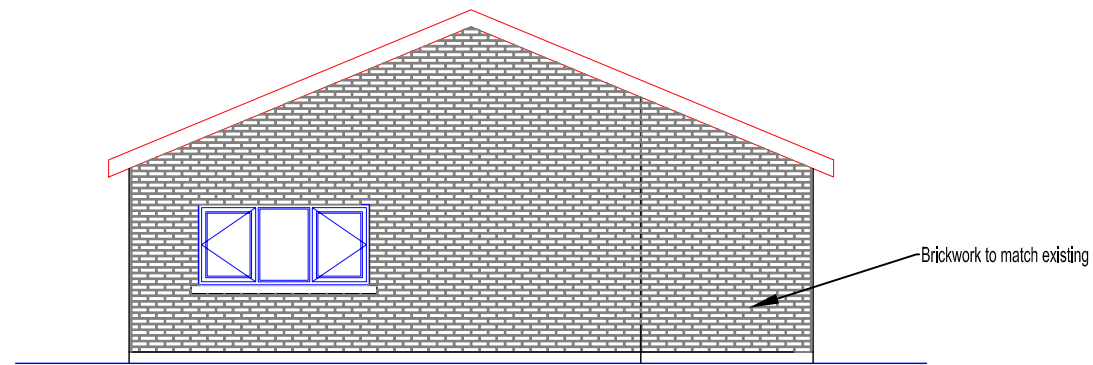
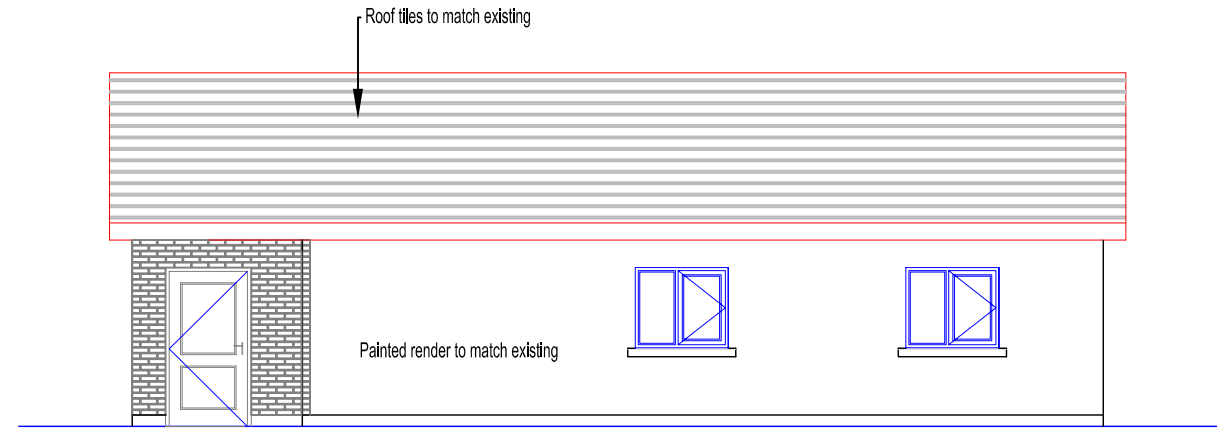


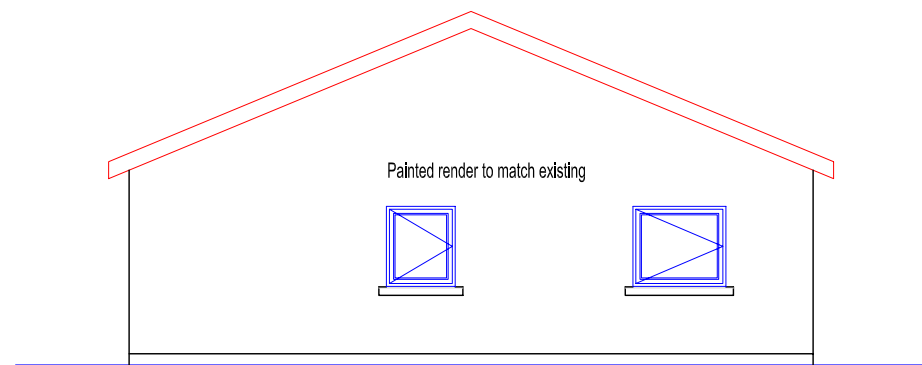
SUNCROFT - PART 8 July 2013



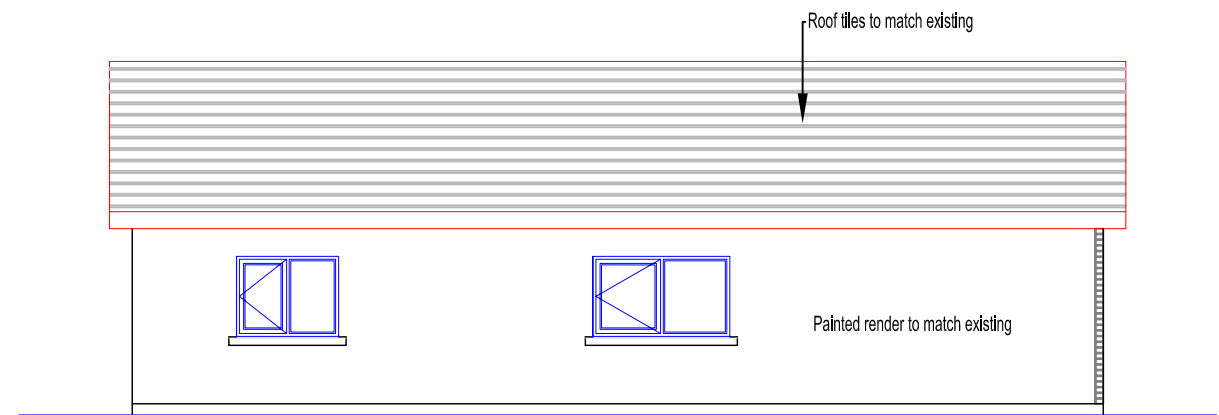
FRONT ELEVATION - S/A4




SIDE ELEVATION - S/A4



REAR ELEVATION - S/A4



ELEVATIONS, TYPE-S/A4
SCALE- 1:100

 <p>ARCHITECTS' DEPARTMENT, COUNTY HALL, TALLAGHT, DUBLIN 24 TEL: 01-414 9000, FAX: 01-414 9209</p> <p>COUNTY ARCHITECT EDDIE CONROY, B.Arch., M.Sc.Arch, FRM</p>				SCALE:- 1:100	PROJECT TITLE: INFILL HOUSING AT SUNCROFT, TALLAGHT, DUBLIN-24		DRAWING. NO:	REV.
				DATE:- JULY 2013	DRAWING TITLE: HOUSE TYPE S/A4 - ELEVATIONS		13023 / P / 11	
	No.	DATE	REVISION	DRAWN:- TB	SENIOR ARCHITECT: PATRICK DE ROE	PROJECT ARCHITECT:		